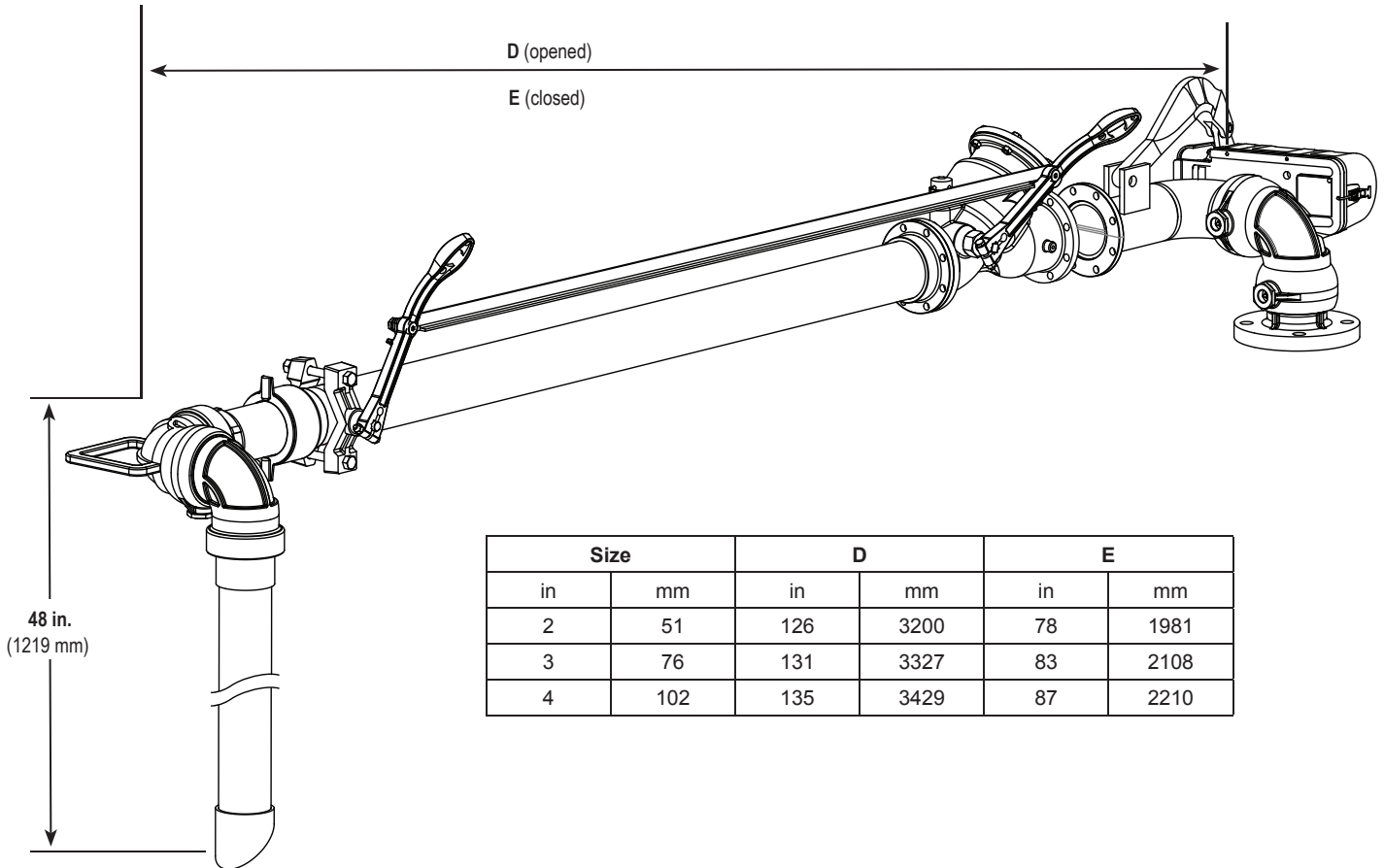


# LOADING SYSTEMS

## Loading Arms

- Prices include all component products needed for a complete system.
- Full factory assembly and hydrostatic testing of completed loaders/unloaders are available: 2", 3", 4"- **call for pricing**
- All loading systems included in this price list are for upfeed inlets. The same prices may be used for loaders/unloaders with downfeed inlets.
- Fluorocarbon seals are standard in all OPW loading arms, unless otherwise noted. Consult factory for price and availability of arms with other seals.
- All torsion spring balanced loading arms are available with the OPW 788-L lockdown to secure the arm during loading/unloading operations. Prices of the OPW 788-L, for right hand springs, and 788-LLH, for left hand springs, are: **Call**
- All prices are based on standard components of ductile iron, carbon steel and aluminum, unless otherwise noted. Consult factory for price, availability and design assistance on special loaders/unloaders in carbon steel, stainless steel, and other materials of construction.
- Note: Adjustment of spring is necessary when arm is installed.



## TOP LOADING SYSTEMS

### Slide Sleeve Type Loading Arms, with Valve

Prod. No.	Description	Size (In.)	Prod. No.	Wt. (Lbs.)
A32	Slide Sleeve Loader, Torsion Spring Balance, Threaded Inlet, Ductile Iron, Steel, Brass, Aluminum Construction, Fluorocarbon Seals.	2	A32-0042	82
		3	A32-0068	120
A32F	Slide Sleeve Loader, Torsion Spring Balance, Flanged Inlet, Ductile Iron, Steel, Brass, Aluminum Construction, Fluorocarbon Seals.	3	A32F-0068	123
		4	A32F-0178	163
A32R	Slide Sleeve Loader, Torsion Spring Balance, Threaded Inlet, Fluorocarbon Seals, 1000RC Remote Control, Ductile Iron, Steel, Brass, Aluminum Construction, Fluorocarbon Seals.	2	A32R-0342	85
		3	A32R-0368	123
		4	A32R-0378	160
A32RF	Slide Sleeve Loader, Torsion Spring Balance, Flanged Inlet, Fluorocarbon Seals, 1000RC Remote Control, Ductile Iron, Steel, Brass, Aluminum Construction, Fluorocarbon Seals.	3	A32RF-4368	126
		4	A32RF-4378	167